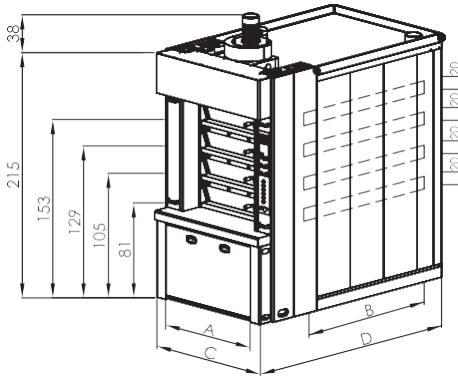
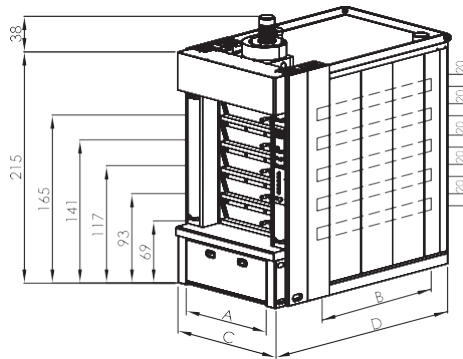
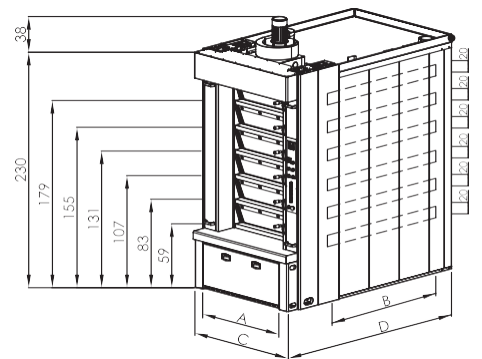


**MINISTAR**

Model Model Modèle Modelo	Pişir. Yüzeyi Baking surf. Surf. cuisson Sup. cocción	Kat Ölçüleri Decks dim. Dim. Chambres Dim. câmaras		Dış Ölçüler External dim. Dim. extérieures Dim. externas		Ağırlık Weight Poids Peso	Isıl Güç Thermal power Puissance thermique Potencia térmica			Elektrik Gücü Elec. absorption Puissance élec. Potencia eléc.
		A cm	B cm	C cm	D cm		Kcal/h	Kw	BTU/h	
<b>4 KAT - 4 DECKS - 4 ETAGES - 4 CAMARAS</b>										
<b>MSR-40810</b>	3.44	82	105	130	198	1280	28.000	32	112.000	1
<b>MSR-40812</b>	4.10		125		218	1550	30.000	35	120.000	
<b>MSR-40814</b>	4.76		145		238	1600	32.000	37	128.000	
<b>MSR-40816</b>	5.41		165		258	1750	36.000	42	144.000	
<b>MSR-40818</b>	6.07	82	185	130	278	1850	38.000	44	152.000	1
<b>MSR-40820</b>	6.72		205		298	1950	44.000	51	176.000	
<b>MSR-41010</b>	4.28	102	105	150	198	1550	32.000	37	128.000	1
<b>MSR-41012</b>	5.10		125		218	1700	34.000	39	136.000	
<b>MSR-41014</b>	5.92		145		238	1800	36.000	42	144.000	
<b>MSR-41016</b>	6.73		165		258	2000	38.000	44	152.000	
<b>5 KAT - 5 DECKS - 5 ETAGES - 5 CAMARAS</b>										
<b>MSR-50810</b>	4.31	82	105	130	198	1600	30.000	35	120.000	1
<b>MSR-50812</b>	5.13		125		218	1750	32.000	37	128.000	
<b>MSR-50814</b>	5.95		145		238	1900	34.000	39	136.000	
<b>MSR-50816</b>	6.77		165		258	2050	36.000	42	144.000	
<b>MSR-50818</b>	7.59	82	185	130	278	2200	38.000	44	152.000	1
<b>MSR-50820</b>	8.41		205		298	2350	44.000	51	176.000	
<b>MSR-51010</b>	5.36	102	105	150	198	1750	34.000	39	136.000	1
<b>MSR-51012</b>	6.37		125		218	1900	36.000	42	144.000	
<b>MSR-51014</b>	7.40		145		238	2050	38.000	44	152.000	
<b>MSR-51016</b>	8.42		165		258	2200	40.000	46	160.000	
<b>6 KAT - 6 DECKS - 6 ETAGES - 6 CAMARAS</b>										
<b>MSR-60810</b>	5.15	82	105	130	198	1900	33.000	38	132.000	1
<b>MSR-60812</b>	6.15		125		218	2100	35.000	41	140.000	
<b>MSR-60814</b>	7.13		145		238	2300	37.000	43	148.000	
<b>MSR-60816</b>	8.12		165		258	2450	40.000	46	160.000	
<b>MSR-60818</b>	9.10		185		278	2650	42.000	49	168.000	

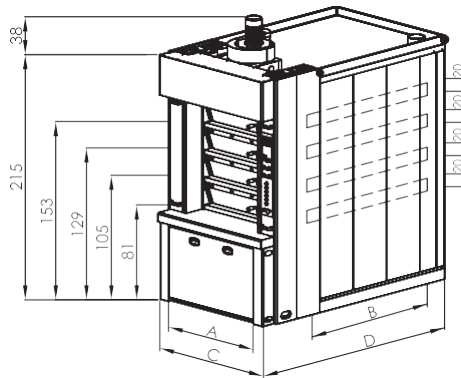

**MSR 4**

**MSR 5**

**MSR 6**

## MINISTAR STONE - PELLET

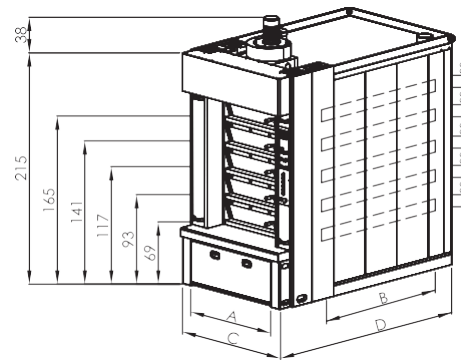
Model Model Modèle Modelo	Pişirme Yüzeyi Baking surface Surf. cuisson Sup. cocción	Kat Ölçüleri Decks dim. Dim. Chambres Dim. cámaras		Dış Ölçüler External dim. Dim. extérieures Dim. externas		Ağırlık Weight Poids Peso	Isıl Güç Thermal power Puissance thermique Potencia térmica			Elektrik Gücü Elec. absorption Puissance élec. Potencia eléc.
		A cm	B cm	C cm	D cm		Kcal/h	Kw	BTU/h	
<b>4 KAT - 4 DECKS - 4 ETAGES - 4 CAMARAS</b>										
MSP-40810	3.44	82	105	130	203	1280	28.000	32	112.000	1
MSP-40812	4.10		125		223	1550	30.000	35	120.000	
MSP-40814	4.76		145		243	1600	32.000	37	128.000	
MSP-40816	5.41	82	165	130	263	1750	36.000	42	144.000	1
MSP-40818	6.07		185		283	1850	38.000	44	152.000	
MSP-40820	6.72		205		303	1950	44.000	51	176.000	
MSP-41010	4.28	102	105	150	203	1550	32.000	37	128.000	1
MSP-41012	5.10		125		223	1700	34.000	39	136.000	
MSP-41014	5.92		145		243	1800	36.000	42	144.000	
MSP-41016	6.73		165		263	2000	38.000	44	152.000	

## 5 KAT - 5 DECKS - 5 ETAGES - 5 CAMARAS

MSP-50810	4.31	82	105	130	203	1600	30.000	35	120.000	1
MSP-50812	5.13		125		223	1750	32.000	37	128.000	
MSP-50814	5.95		145		243	1900	34.000	39	136.000	
MSP-50816	6.77	82	165	130	263	2050	36.000	42	144.000	1
MSP-50818	7.59		185		283	2200	38.000	44	152.000	
MSP-50820	8.41		205		303	2350	44.000	51	176.000	
MSP-51010	5.36	102	105	150	203	1750	34.000	39	136.000	1
MSP-51012	6.37		125		223	1900	36.000	42	144.000	
MSP-51014	7.40		145		243	2050	38.000	44	152.000	
MSP-51016	8.42		165		263	2200	40.000	46	160.000	



MSP 4



MSP 5

Model - Model Modèle - Modelo		Gaz	Motorin - Gas- oil Fioul	LPG	Pellet	Model - Model Modèle - Modelo		Gaz	Motorin - Gas- oil Fioul	LPG	Pellet
RING	PELLET	m <sup>3</sup> /h	L/h	L/h	Kg/h	RING	PELLET	m <sup>3</sup> /h	L/h	L/h	Kg/h

Ortalama tüketim tablosu - Average ovens consumption chart - Consommation moyenne - Tabla consumos medios

<b>MSR-40810</b>	<b>MSP-40810</b>	2.04	1.83	2.85	3.65	<b>MSR-50818</b>	<b>MSP-50818</b>	2.76	2.48	3.86	4.96
<b>MSR-40812</b>	<b>MSP-40812</b>	2.18	1.96	3.05	3.91	<b>MSR-50820</b>	<b>MSP-50820</b>	2.30	2.87	4.47	5.74
<b>MSR-40814</b>	<b>MSP-40814</b>	2.33	2.09	3.25	4.17	<b>MSR-51010</b>	<b>MSP-51010</b>	2.47	2.22	3.46	4.43
<b>MSR-40816</b>	<b>MSP-40816</b>	2.62	2.35	3.66	4.70	<b>MSR-51014</b>	<b>MSP-51014</b>	2.76	2.48	3.86	4.96
<b>MSR-40818</b>	<b>MSP-40818</b>	2.76	2.48	3.86	4.96	<b>MSR-51016</b>	<b>MSP-51016</b>	2.91	2.61	4.07	5.22
<b>MSR-40820</b>	<b>MSP-40820</b>	3.20	2.87	4.47	5.74	<b>MSR-60810</b>	---	2.40	2.15	3.36	---
<b>MSR-41010</b>	<b>MSP-41010</b>	2.33	2.09	3.25	4.17	<b>MSR-60812</b>	---	2.55	2.28	3.56	---
<b>MSR-41014</b>	<b>MSP-41014</b>	2.62	2.35	3.66	4.70	<b>MSR-60814</b>	---	2.69	2.41	3.76	---
<b>MSR-41016</b>	<b>MSP-41016</b>	2.76	2.48	3.86	4.96	<b>MSR-60816</b>	---	2.91	2.61	4.07	---
<b>MSR-50810</b>	<b>MSP-50810</b>	2.18	1.96	3.05	3.91	<b>MSR-60818</b>	---	3.05	2.74	4.27	---
<b>MSR-50812</b>	<b>MSP-50812</b>	2.33	2.09	3.25	4.17						
<b>MSR-50814</b>	<b>MSP-50814</b>	2.47	2.22	3.46	4.43						
<b>MSR-50816</b>	<b>MSP-50816</b>	2.62	2.35	3.66	4.70						

